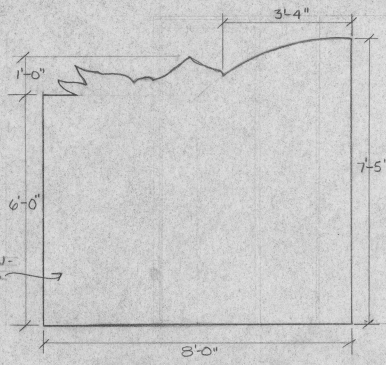


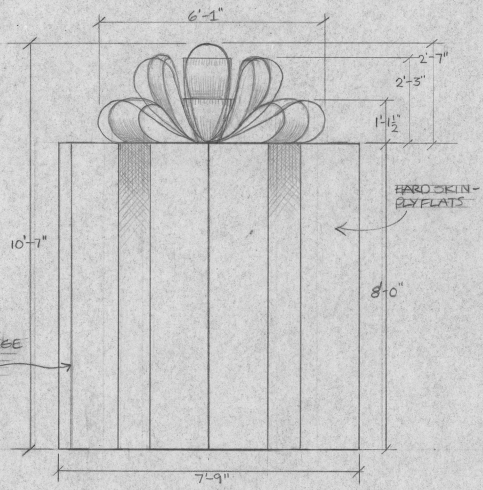
FRONT VIEW - 1/4 R BRACED GIFT CUTOUT



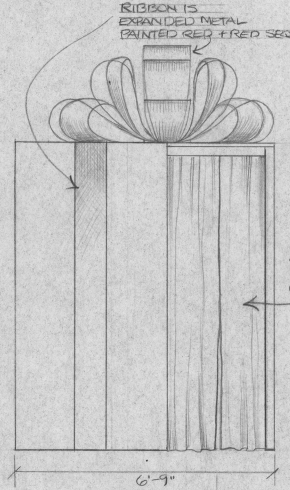
FRONT VIEW - 1/2 R GIFT CUTOUT

NOTE:
ACTORS WILL NOT BE ON TOP OF GIFT BOX.

CONCEAL HINING AS MUCH AS POSSIBLE

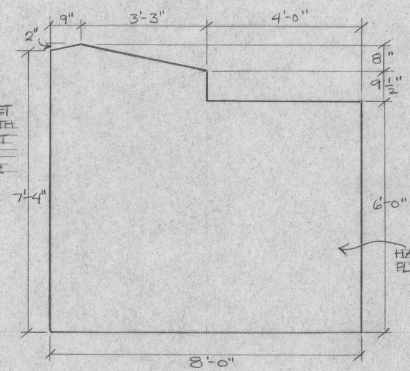


FRONT VIEW

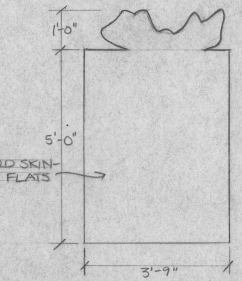


S/L SIDE VIEW

BACK VELVET DRAPE WITH CENTER SLIT BUNKS IN CROSSOVER



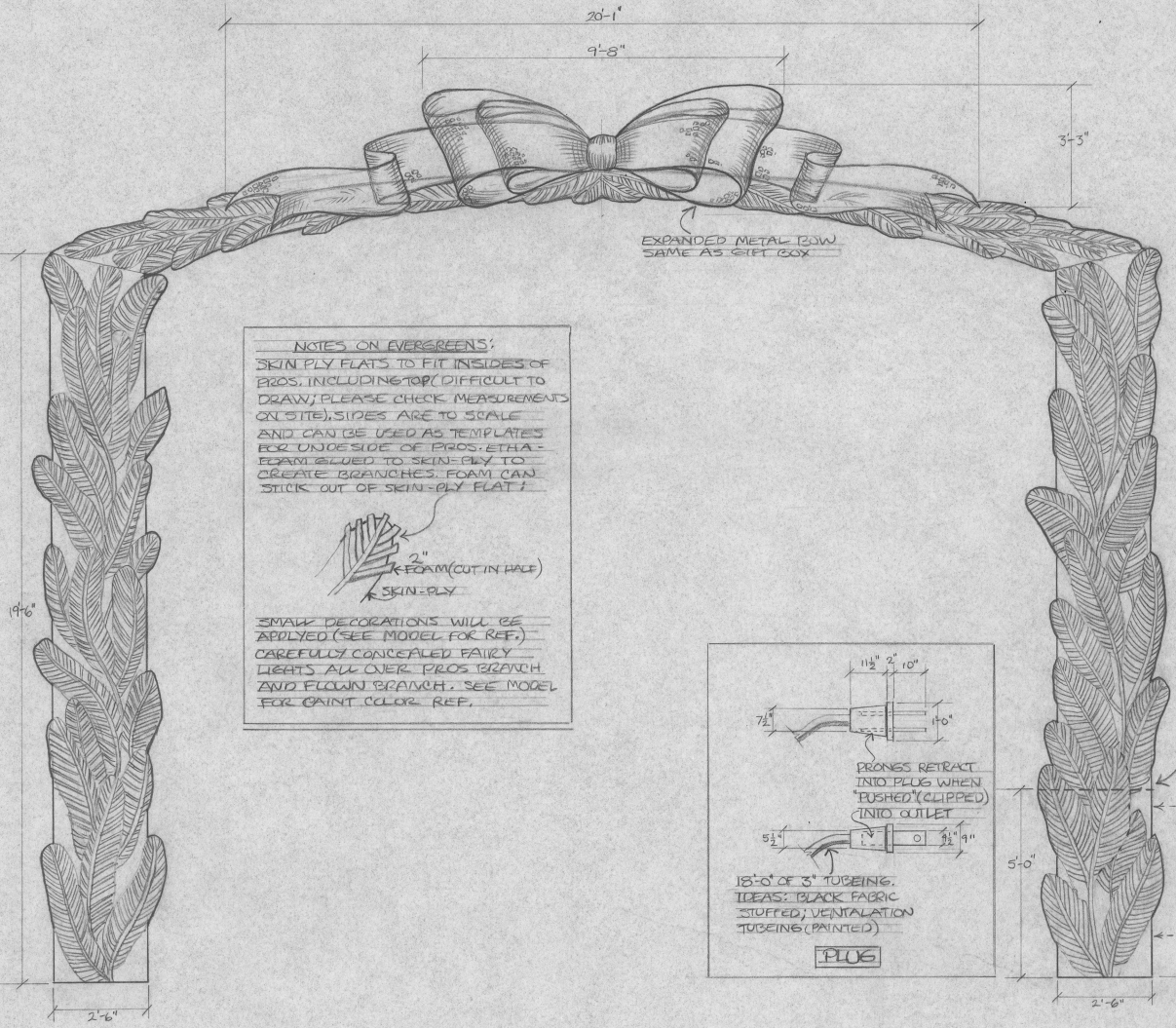
FRONT VIEW - 3/4 L GIFT CUTOUT



FRONT VIEW - 3/4 R BRACED GIFT CUTOUT

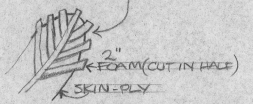
NEPTUNE THEATRE
JESTERS CHRISTMAS
LARGE GIFT BOX + CUTOUTS
SCALE: 3/8" = 1'-0"
DESIGNER: A. MURRAY



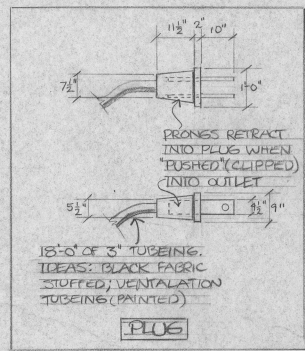


EXPANDED METAL BOW
SAME AS GIFT BOX

NOTES ON EVERGREENS:
SKIN PLY FLATS TO FIT INSIDES OF
BROS. INCLUDING TOP (DIFFICULT TO
DRAW); PLEASE CHECK MEASUREMENTS
ON SITE; SIDES ARE TO SCALE
AND CAN BE USED AS TEMPLATES
FOR UNDSIDE OF PROS. ETHA-
FOAM BLENDED TO SKIN PLY TO
CREATE BRANCHES. FOAM CAN
STICK OUT OF SKIN PLY FLAT!



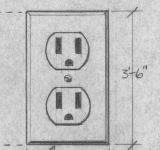
SMALL DECORATIONS WILL BE
APPLIED (SEE MODEL FOR REF.)
CAREFULLY CONCEALED FAIRY
LIGHTS ALL OVER PROS BRANCH
AND FLOWN BRANCH. SEE MODEL
FOR PAINT COLOR REF.



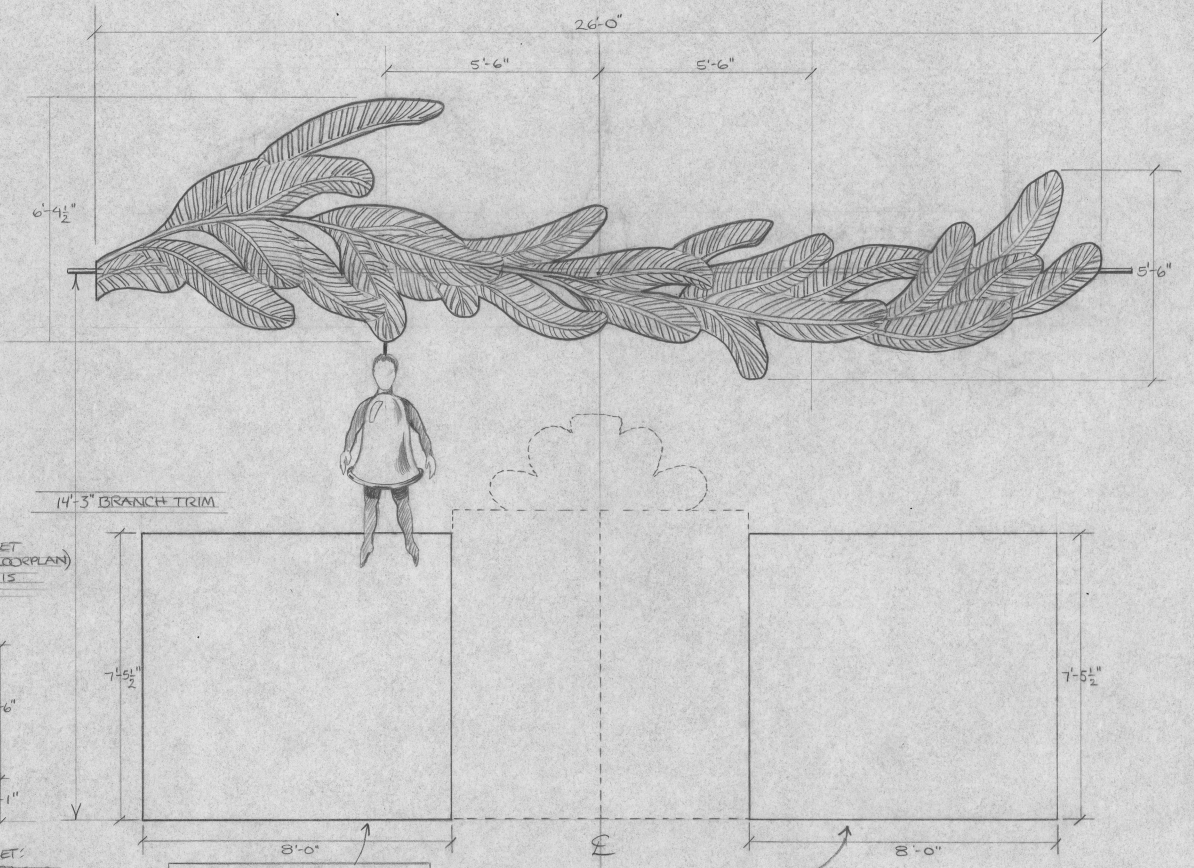
18'-0" OF 3" TUBING.
IDEAS: BLACK FABRIC
STUFFED; VENTILATION
TUBES (PAINTED)

PLUS

SPLIT FOR "OUTLET
DOOR" (SEE FLOORPLAN)
REFUSE SIDE IS
FINISHED.

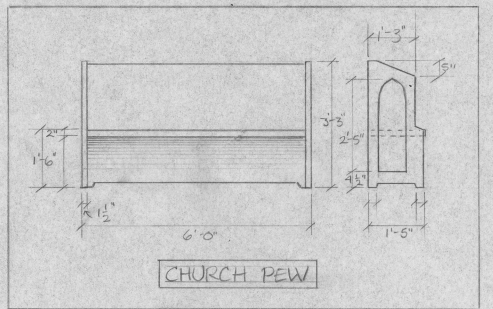
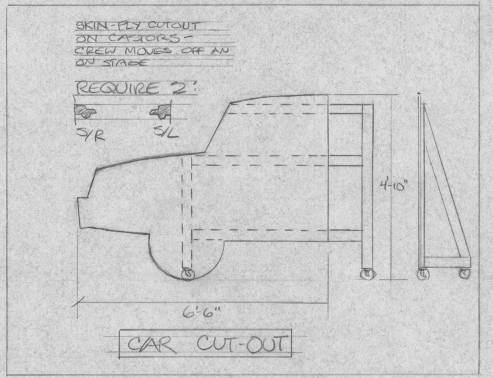
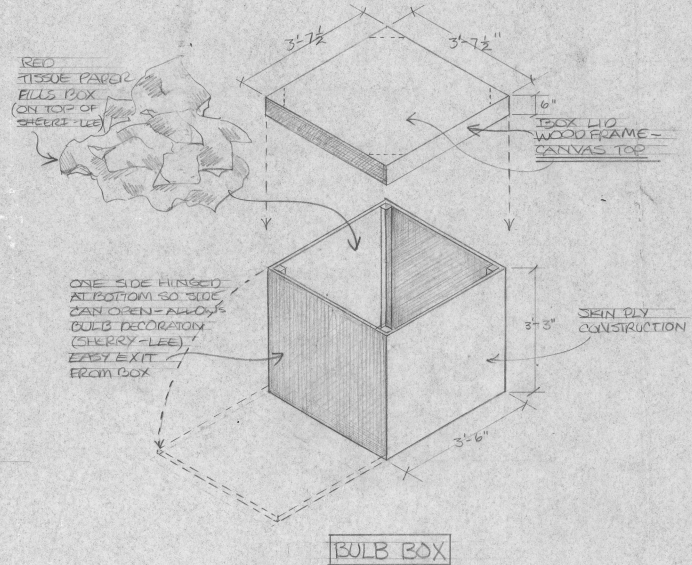
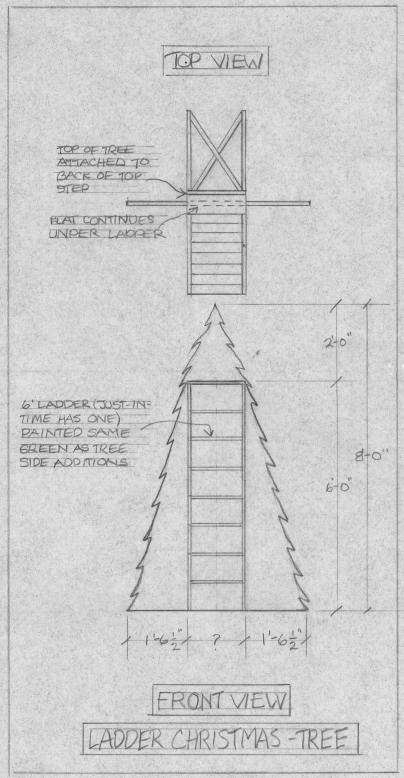
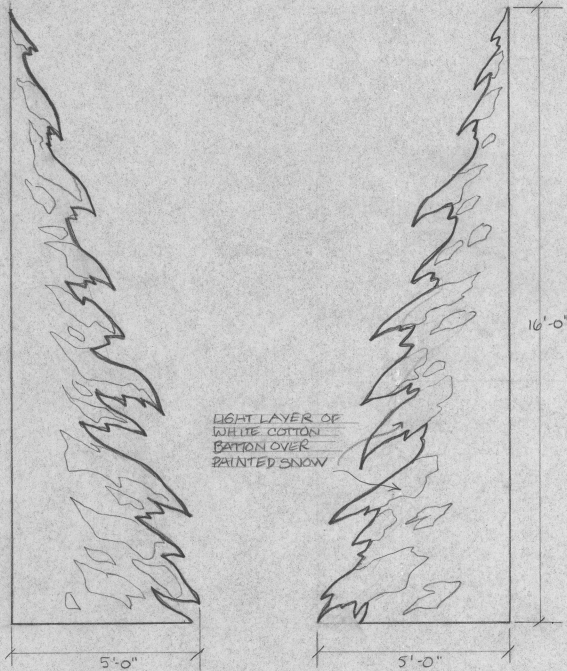


PAINTED OUTLET
COULD HAVE RAISED
RELIEF; BEVELED
SIDES FOR EXAMPLE



BLACK VELVET MASKING
FLAT: SELF SUPPORTING
(MASKING GIFTS)

NEPTUNE THEATRE
JESTERS CHRISTMAS
EVERGREENS +
ELECTRIC PLUS.
SCALE: 1/2" = 1'-0"
DESIGNER: A. MURRAY

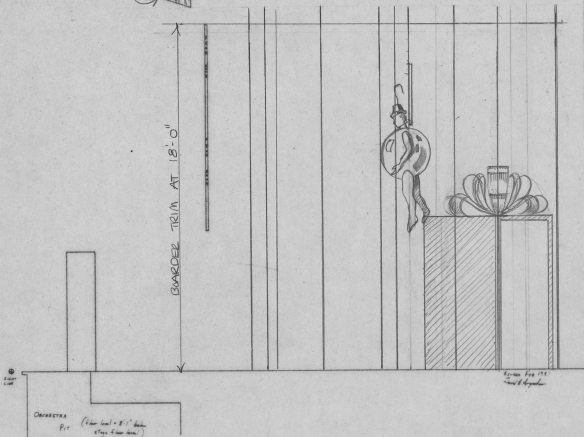
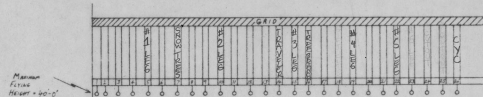
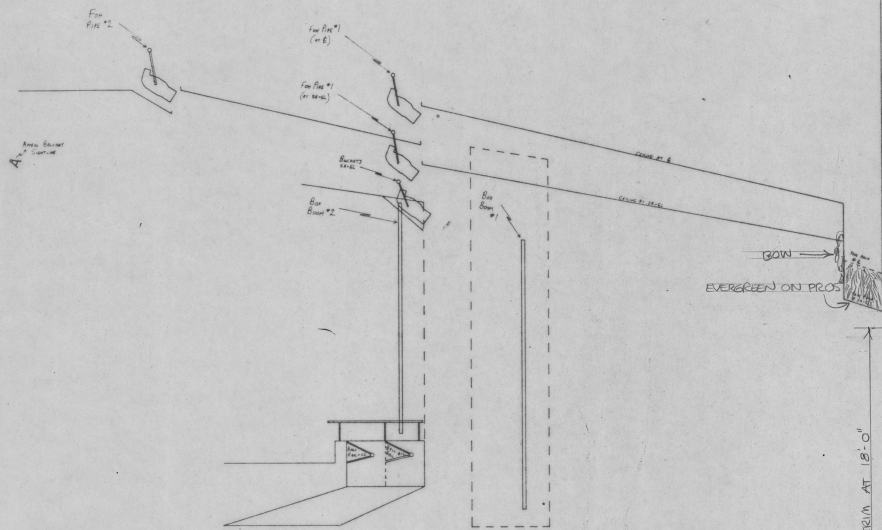


NEPTUNE THEATRE
 JESTERS CHRISTMAS
 DESIGNER: A. MURRAY
 SCALE: 1/2" = 1'-0"

UNIVERSITY MICROFILMS

CROSS-SECTIONAL
NEPTUNE THEATRE

SCALE $\frac{1}{2}'' = 1'$

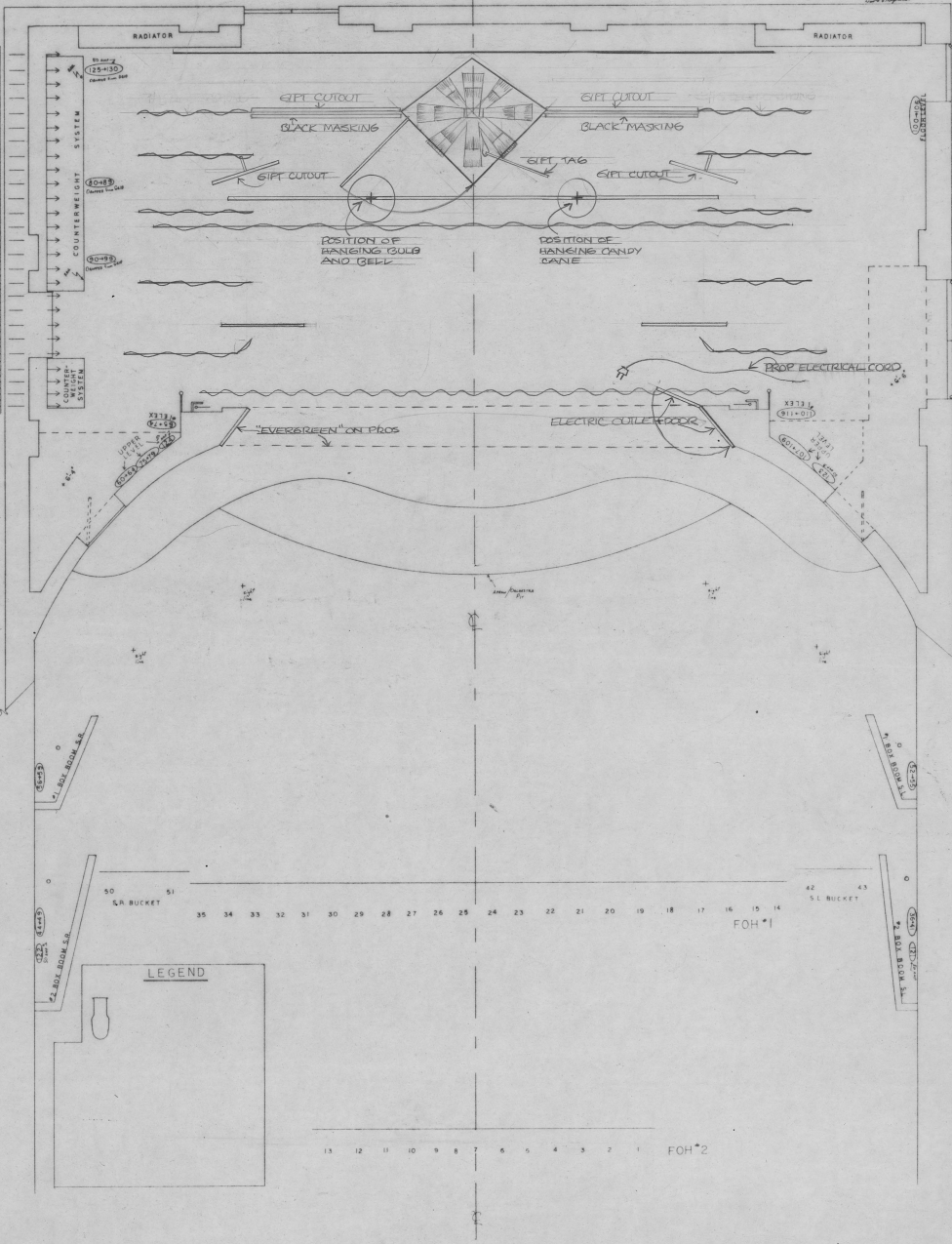


CIRCUIT PLOT
NEPTUNE THEATRE

SCALE: 1/2" = 1'

DATE: 12/12/41

- HANGING PLOT
- 26 CYC
 - 25
 - 24
 - 23
 - 22 #5 LEG
 - 21
 - 20
 - 19 #4 LEG
 - 18
 - 17
 - 16 TREE BRANCH
 - 15 #3 LEG
 - 14 BLACK TRAVLER
 - 13
 - 12
 - 11
 - 10 #2 LEG
 - 9
 - 8
 - 7 SNOW TREES
 - 6
 - 5 #1 LEG
 - 4
 - 3 HOUR CURTAIN
 - 1 FINE CURTAIN



3114
92-10
3115
92-10
3116
92-10

3117
92-10
3118
92-10

3119
92-10
3120
92-10

3121
92-10
3122
92-10

3123
92-10
3124
92-10

3125
92-10
3126
92-10

90 51
LR BUCKET

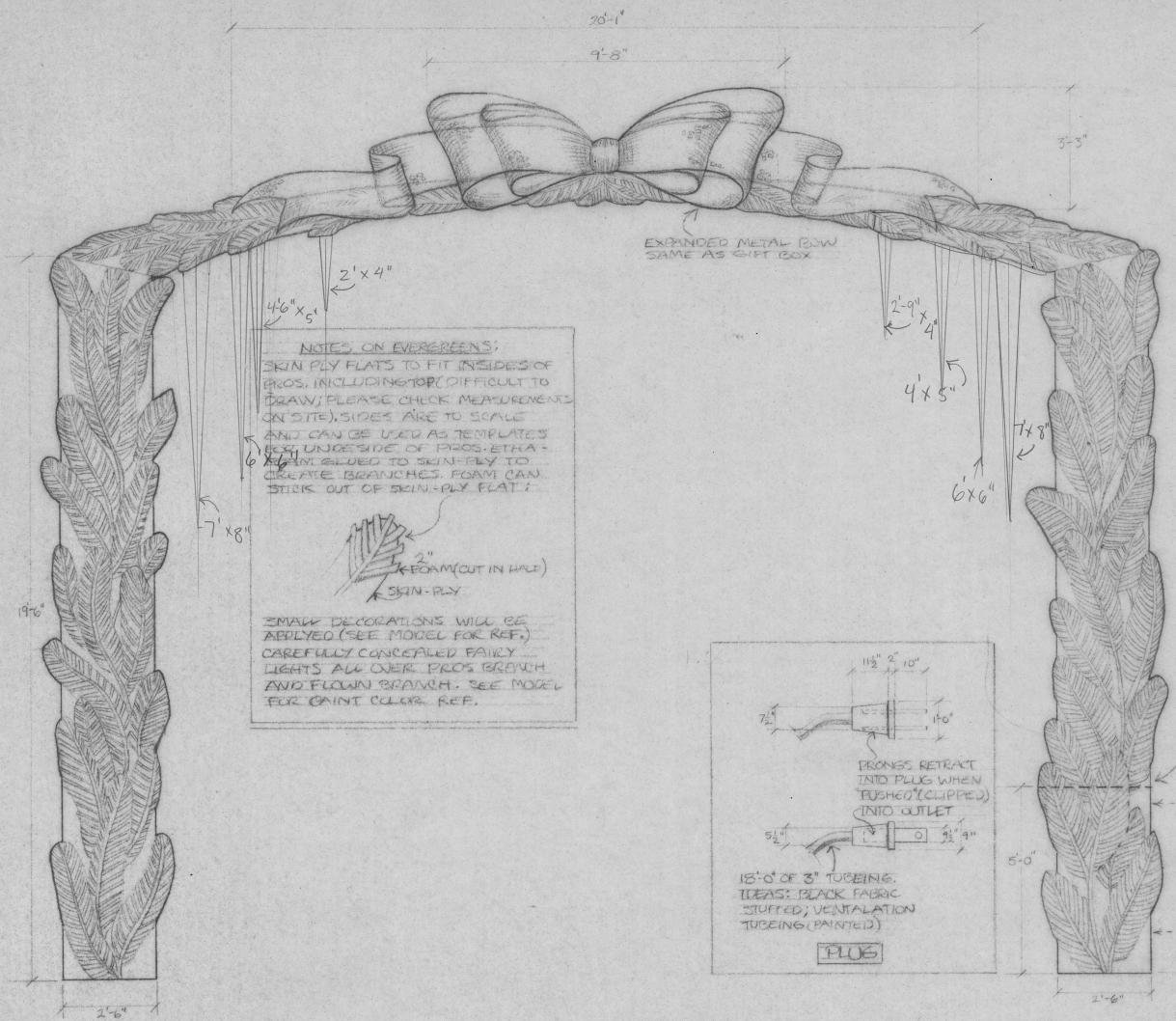
42 43
SL BUCKET

FOH #1

LEGEND



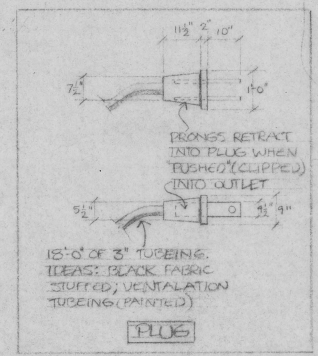
13 12 11 10 9 8 7 6 5 4 3 2 1 FOH #2



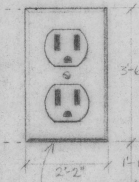
NOTES ON EVERGREENS:
 SKIN PLY FLATS TO FIT INSIDES OF PROS, INCLUDING TOP (DIFFICULT TO DRAW, PLEASE CHECK MEASUREMENTS ON SITE), SIDES ARE TO SCALE AND CAN BE USED AS TEMPLATES BEST UNDER SIDE OF PROS. EXTRA - 6' x 4' - 1/2" SKIN PLY TO BE GLUED TO SKIN PLY TO CREATE BRANCHES. FOAM CAN STICK OUT OF SKIN PLY FLAT.

2" FOAM (CUT IN HALF)
 SKIN PLY

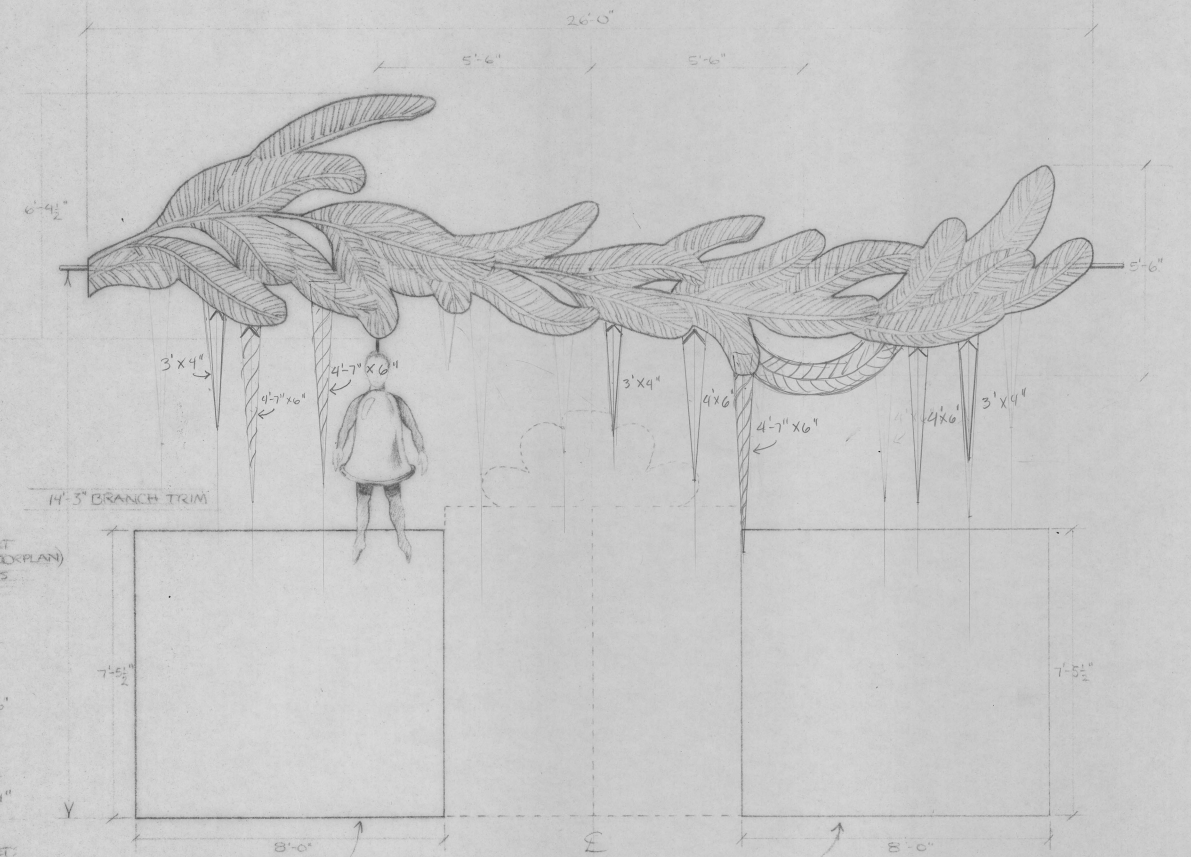
SMALL DECORATIONS WILL BE APPLIED (SEE MODEL FOR REF.) CAREFULLY CONCEALED FAIRLY LIGHTS ALL OVER PROS BRANCH AND FLOWN BRANCH. SEE MODEL FOR PAINT COLOR REF.



SPLIT FOR "OUTLET DOOR" (SEE FLOOR PLAN) REVERSE SIDE IS FINISHED.



PAINTED OUTLET COULD HAVE RAISED RELIEF, PEVELED SIDES FOR EXAMPLE



BLACK VELVET MASKING FLAT, SELF SUPPORTING (MASKING GIFTS)

NEPTUNE THEATRE
 JESTERS CHRISTMAS
 EVERGREENS +
 ELECTRIC PLUG.
 SCALE: 1/2" = 3'-0"
 DESIGNER: A. MURRAY

26 CYC

23 #5 ELEC.

22 LEG

19 #4 ELEC.

18 LEG

16 BRANCH

15 #3A ELEC.

14 BLACK T.

12 #3 ELEC.

11 LEG

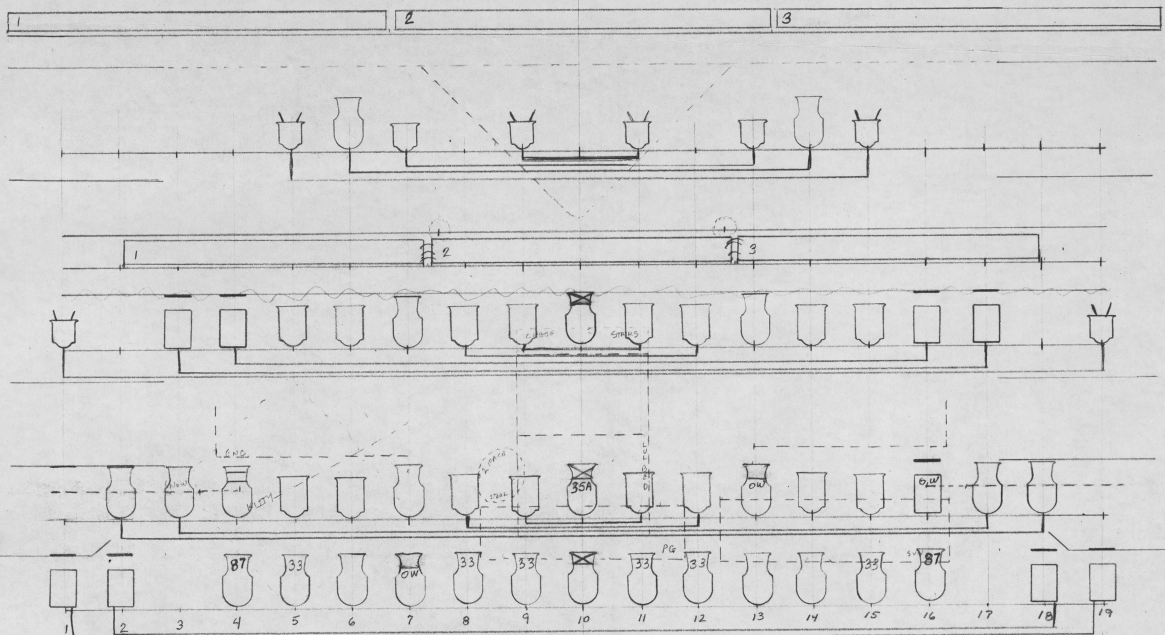
B LEG

8 TREES

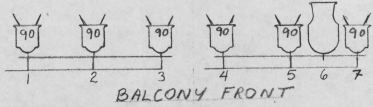
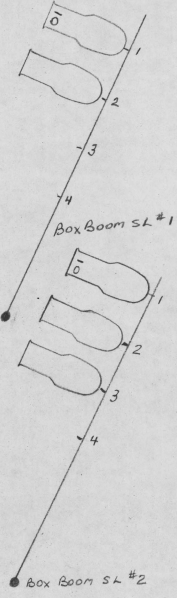
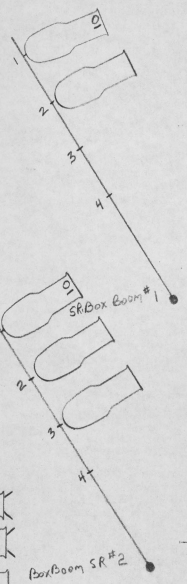
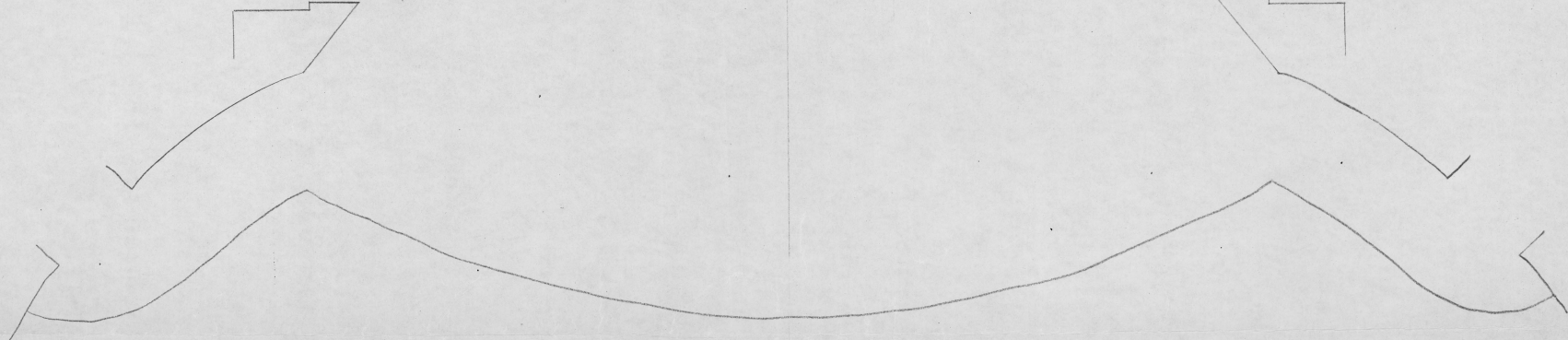
6 #2 ELEC.

5 LEG

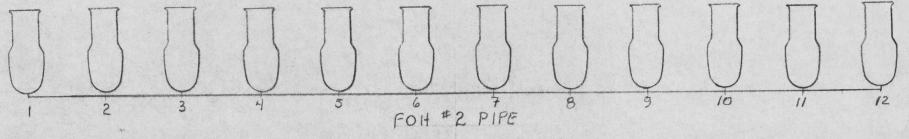
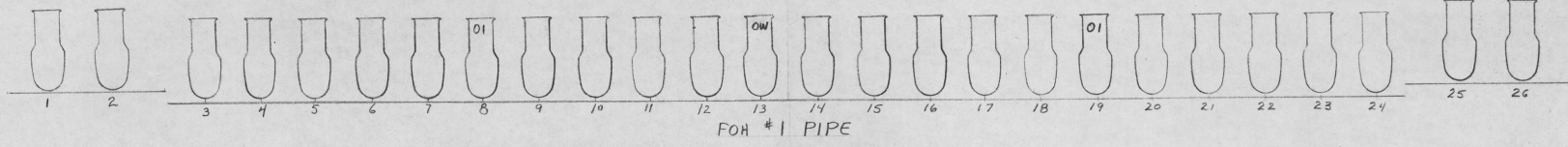
4 #1 ELEC.



ALL ELECTRIC PIPES FROM Q OUT ON 18" CENTRALS (PIPES 1-2-3-4)



- 6" FRASHEL DOWNER
- 8" FRASHEL DOWNER
- 6x4 LEXO
- 6x4 LEXO
- 6x1/2 LEXO
- 6x1/2 LEXO
- PARALLEL PIPE
- 6x22 LEXO



JESTERS CHRISTMAS
 R. REINHOLDT DEC. 1990
 1/2" = 1' FROM
 NEPTUNE THEATRE