

CARDS

DYNAMICS FREE EXCEPT WHERE MARKED

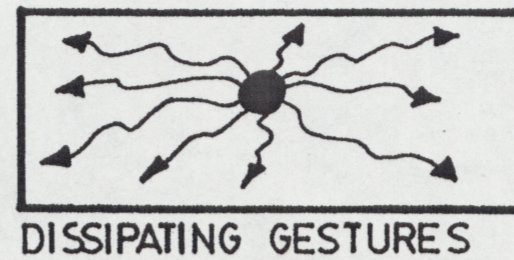
- 1 **fff** MAX SPEED/INTENSITY
- 2 STACC CLOUDS
- 3 SUSTAINED
- 4 **fff** LOW STABS
- 5 **fff** HIGH STABS
- 6 ANGULAR
- 7 SPACE
- 8 REPETITION
- 9 GLISS UP
- 10 GLISS DOWN
- 11 VARIABLE GLISS
- 12 MULTIPHONICS HARMONICS
- 13 MEDIUM SPEED LEGATO LINE
- 14 FAST SPEED LEGATO LINE
- 15 MEDIUM SPEED ARTICULATED
- 16 FAST SPEED ARTICULATED

VETO A



THE LOWEST/DIRTIEST ENSEMBLE SOUND
TUTTI (drums should be low)

VETO B

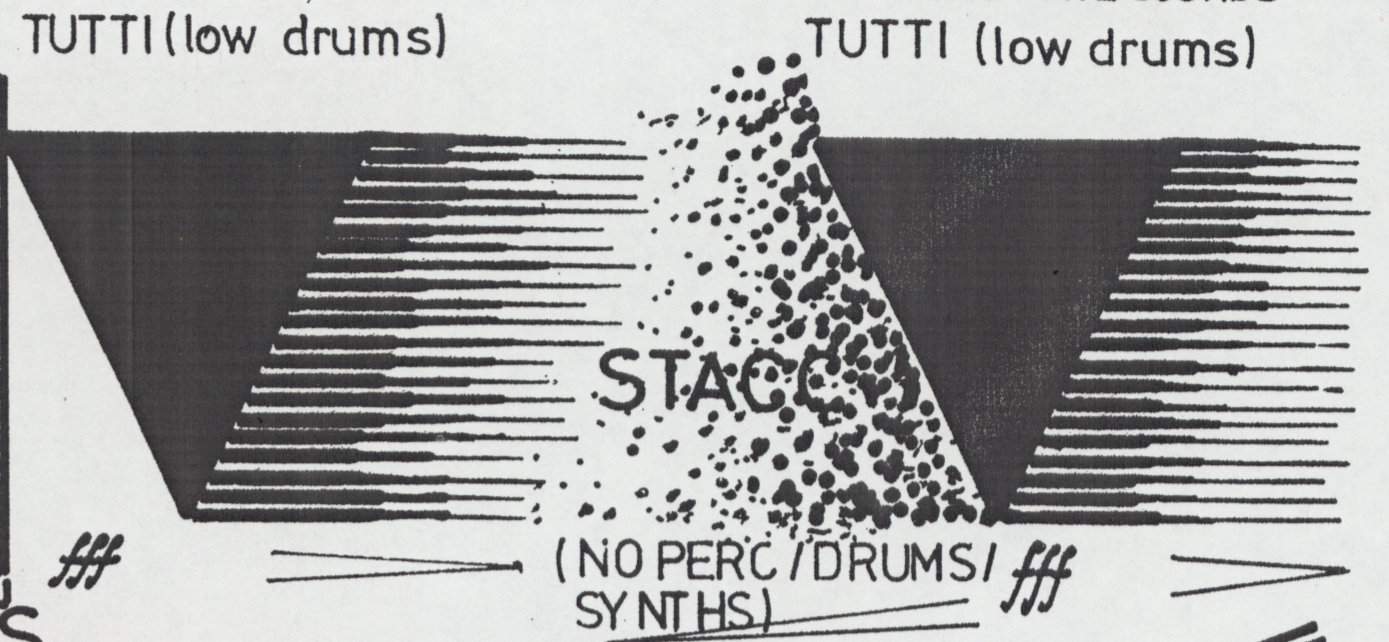
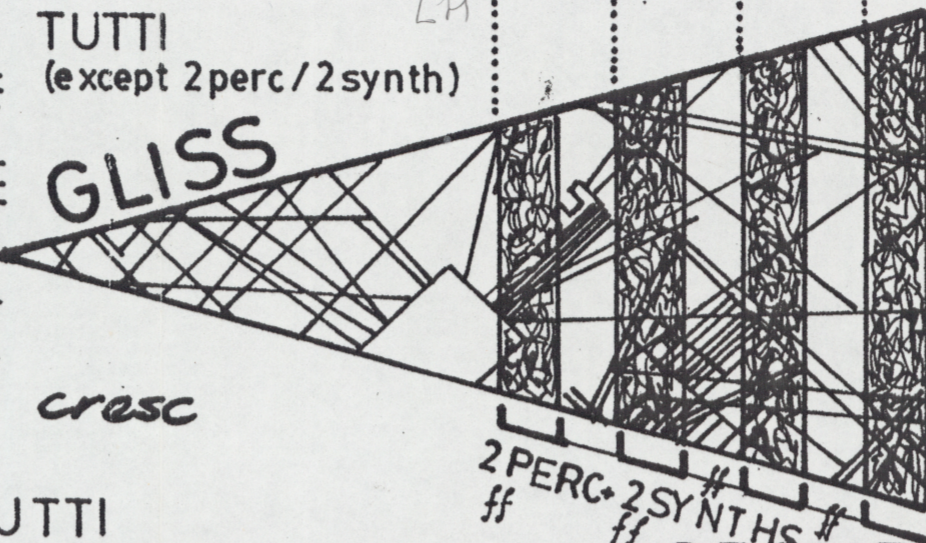
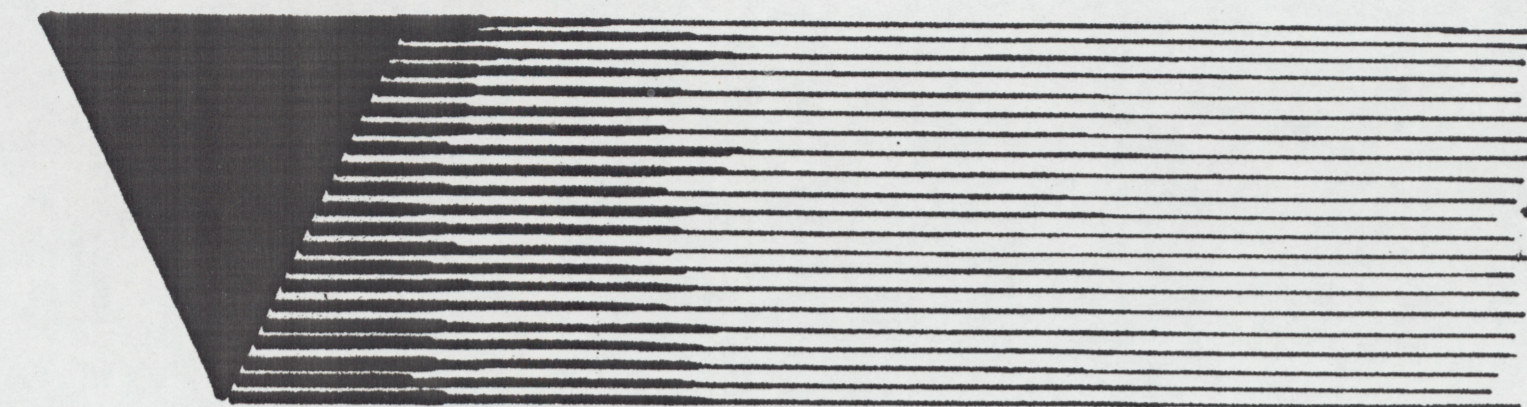


TUTTI (except 2perc/2synth)

VETO C



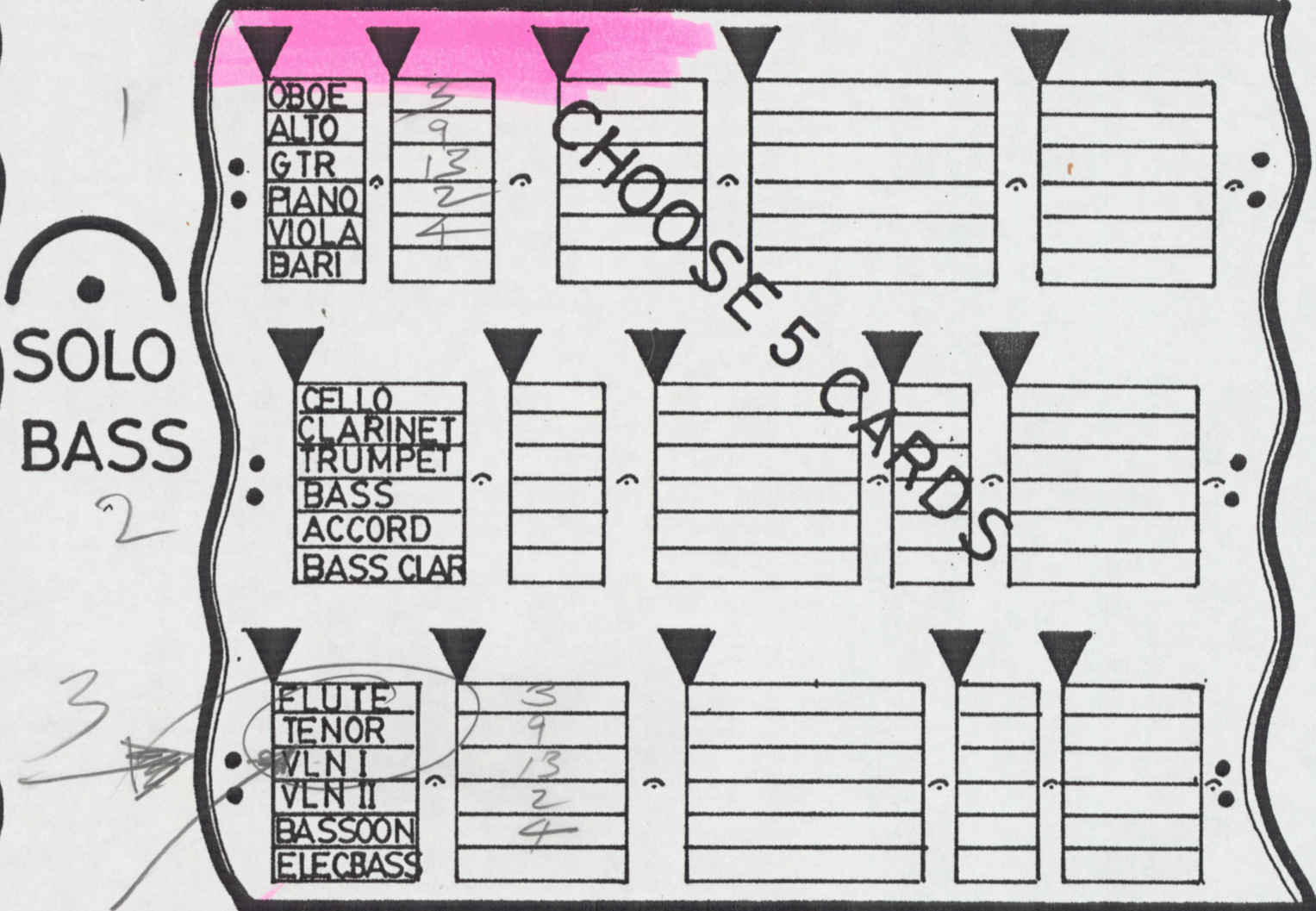
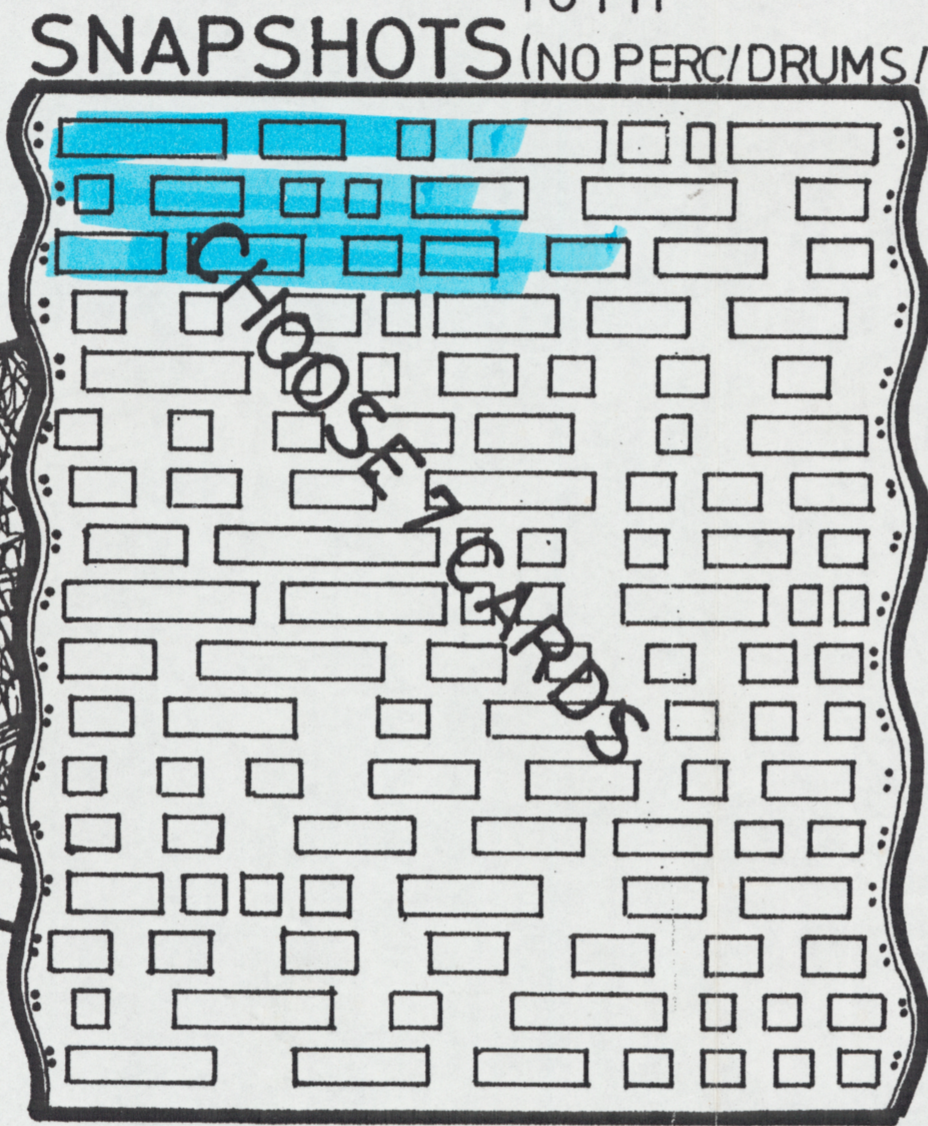
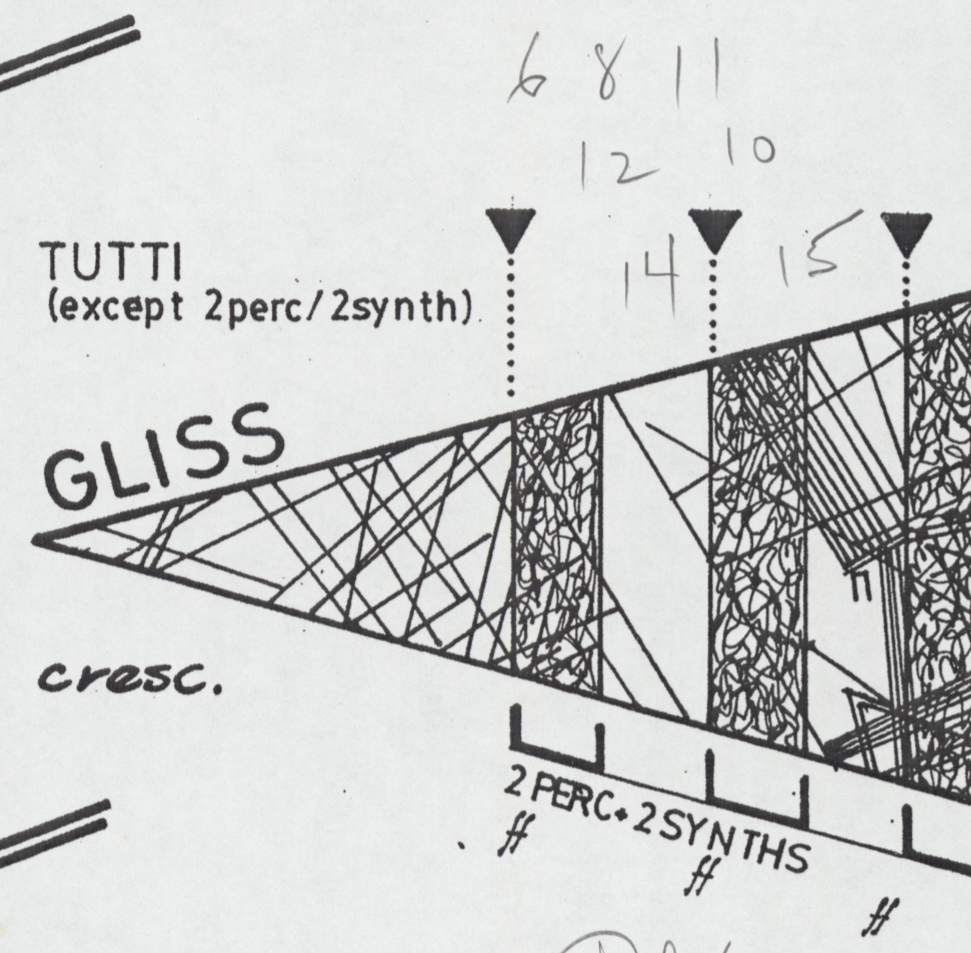
TUTTI (low drums)



fff dim poco a poco

TUTTI (NO PERC / DRUMS / SYNTH)

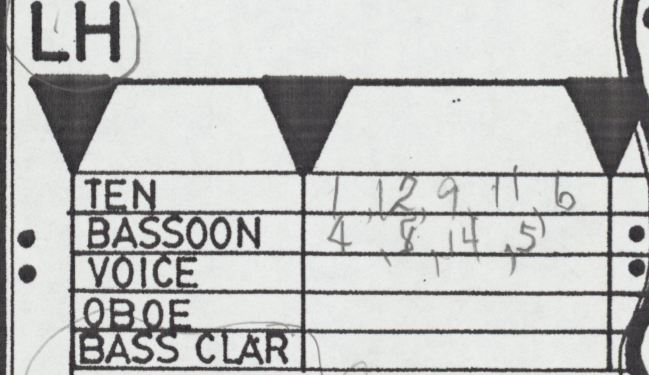
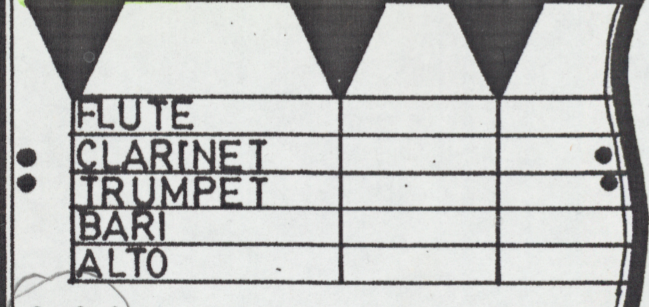
GROUPS



CHOOSE 9 CARDS

STREAM (NO STRINGS)
RH (GTRS DRUMS)

STACC. TUTTI (NO DRUMS / VOICE)



2 SYNTH / PERC COMMENTS

TUTTI GLISS

(NO DRUMS)

SOLO BASS

DUO BASS + BASS CLAR.

MARK LEADS

GTRS + STRINGS

DRUMS + SAX 3

HARP + PERC

STACC.

STACC.

STACC.

TUTTI (+2 SYNTHS) (+LOW DRUMS)

TUTTI (+2 SYNTHS) (+LOW DRUMS)

TUTTI (1 SYNTH TO HARP) (+LOW DRUMS & 1 SYNTH)

TUTTI (+1 SYNTH) (+LOW DRUMS)

VOICE improv.

BASS / BASS CLAR improv.

